



# Precision

in motion

# Efficiency

in process

DRIVING  
SOLUTION

## INDUSTRIAL CONTROL PANEL



- Design & Build as per customer requirement
- Automation control panel with system integration of PLC, HMI, VFD, AC Servo
- Instrumentation panel
- Starter Panels DOL/STAR-DELTA/ATS
- Automation Panel for Pressure Boosting Application
- Power distribution panel, PCC, MCC, APFC
- Bus Duct Panel • Feeder Panel • Synchronizing Panel
- Design with proper cooling arrangement
- High quality switch gears & automation components
- MS/SS/ABS plastic enclosure with different industrial IP ratings IP44, IP55, Ip65

### Key Strengths

- Complete Industrial Solution
- High Quality & Reliability
- Excellent workmanship
- Aesthetic & Ergonomic Design
- Innovative concepts
- Skill Engineering
- High Product Value
- Customer Satisfaction



**We have supplied DCS panels for 1.5 MW and 6 MW power plant**

## DELTA ROBOTICS SOLUTIONS

- SCARA, Articulated, Delta and Collaborative robots
- Delivers consistent, defect-free weld quality
- High-speed motion increases production output
- Superior arc stability and path precision
- Reduces labor cost and rework significantly
- High precision, high-speed automation solutions
- Seamless integration with Delta drives and PLCs
- End-to-end support, installation and commissioning



## VARIABLE FREQUENCY DRIVE (VFD)

### Smart Motor Speed Control

- Wide power range
- Vector and torque control
- Multiple industrial protocols



## AC SERVO SYSTEM

### High Precision Motion Control

- 10W to 22kW range
- 23-bit encoder
- EtherCAT communication



## MOTION CONTROLLER

### High Performance Multi-Axis Control

- Up to 128 axes
- IEC 61131-3 support
- EtherCAT and RTEX compatible



## SCADA

### Advanced Supervisory Control System

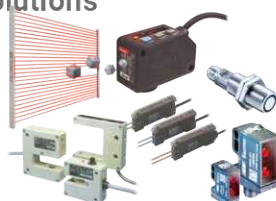
- Real-time data connectivity
- Remote monitoring access
- Alarm and report management



## SENSORS

### Complete Industrial Sensing Solutions

- Wide range sensing technologies
- Reliable industrial performance
- Multiple mounting options



## PLC / HMI

### Advanced Modular Automation Control

- Up to 1024 DI/DO
- High-speed motion control
- Supports IIoT protocols
- Touchscreen up to 15"
- Data logging support



## SWITCHING POWER SUPPLY (SMPS)

### Reliable Power for Every Control Panel

- High efficiency, low ripple output
- Overload and short circuit protection
- DIN rail and panel mount models



## VISION SYSTEM

### AI-Based Inspection Platform

- 20MP high resolution
- Multi-camera support
- Customizable software



## GEARED MOTOR / GEAR BOX

### Precision Torque Transmission

- Wide power range options
- High efficiency and durability
- Planetary gearbox for servo



## SPEED REDUCE

### High Precision Torque Reduction

- 6Nm to 3000Nm
- Maintenance free design
- 360° mounting flexibility



## LM GUIDE

### Smooth Linear Motion System

- High rigidity options
- Multiple series available
- Dustproof configurations



## TEMPERATURE CONTROLLER

### Precision Thermal Management

- Auto tuning PID
- 50ms sampling
- USB powered models



## ROTARY ENCODERS

### Precision Position Feedback

- Up to 480000 PPR
- Multiple shaft options
- Industrial communication support



## INDUSTRIAL DISPLAY

### Clear, Reliable Visual Communication for Factory Floors

- High brightness, long-distance visibility
- Real-time data and status display
- Rugged design for harsh environments



## RAPIER LOOM RETROFITTING SOLUTION

### Upgrade Your Loom Performance Without Replacing the Machine

- Complete panel and drive modernization
- Electronic let-off and take-up upgrade
- AC motor and digital drive integration
- Control card diagnostics and repairing
- Improved fabric quality and efficiency



## BALL SCREW

### Precision Rotary to Linear Motion

- Ground and rolled types
- High accuracy classes
- Up to 120mm diameter



## CNC CONTROLLER

### Advanced Multi-Axis Control

- 1 to 9 axis control
- EtherCAT support
- Industry 4.0 ready



## INJECTION MOLDING M/C CONTROLLER

### High Performance IMM Control

- Dual CPU architecture
- Linux based HMI
- Fast Ethernet communication



## DIGITAL SYNCHRONIZER

### Perfect Speed Harmony for Multi-Motor Applications

- Precise master-slave speed synchronization
- Maintains constant line speed accuracy
- Ideal for printing, textile, and converting lines



## COMPLETE INDUSTRIAL ELECTRONICS REPAIRING SOLUTION

25+ Years of Trusted Industrial Automation Repair Expertise

- Expert repair of VFDs, PLCs, HMIs, controllers
- Servo drives, motors and stepper systems serviced
- Component-level diagnostics with genuine replacements
- Fast turnaround to minimize production downtime
- Cost-effective alternative to new equipment purchase



One stop solution for all your repairing needs

### OUR REPAIRING EXPERTISE IN BRANDS LIKE



**Panasonic**

**ABB**

**SIEMENS**

**WEGCON**



**INOVANCE**

**Nidec**

**TECO**

**Fuji Electric**

**MEGMEET**

**YASKAWA**

**OMRON**

**XINJE**

**SynMatic**



**Allen-Bradley**

**invt**

**kinway**

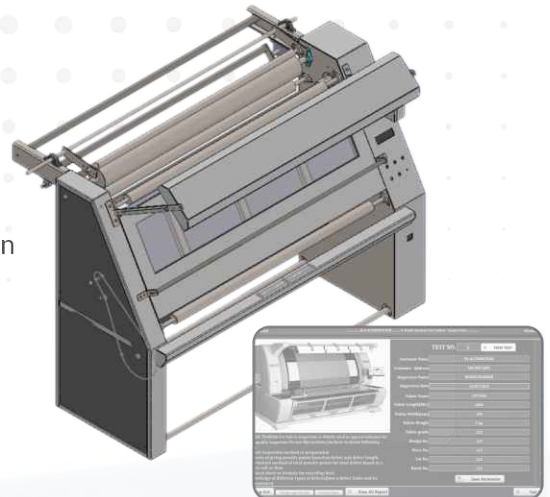
**Synland**

### WHY RS AUTOMATION?

- One stop solution
- Believe in long term Relation and trust.
- State of art Manufacturing set up
- More than 2000 Panels Manufactured
- Timely Delivery
- Best Quality
- Competitive solutions
- Site survey and Application Study
- Prompt after sales service
- Software for design and engineering
- Employing More than 80 Persons
- More than 25 years experience in automation industries
- Qualified, experience dedicated team for
  - Need Identification
  - Scada development
  - Cloud based solution
  - PLC and HMI Software development
  - Design, Development and Engineering
- Minimum Installation time, In house Inspection and testing
- Follow industrial safety standards
- Our Panels Are Working at Brazil, USA, Africa, Dubai, Egypt, Bangladesh, Spain, Russia and many more countries.

## FABRIC INSPECTION M/C

- Goods inspection machine for the continuous inspection of woven and knitted fabrics
- Tension control to synchronize infeed and Exit of fabric
- Speed-controlled drive for a machine speed between 5 and 55 m/min
- Gray inspection table for good contrast
- Electronic meter counter for precise length with additional mechanical counter
- Spreading bow in Infeed for batter spreading of fabric
- Forward and backward running for better visual inspection
- Machine control integrated in the machine frame



## FABRIC FOLDING

- Single and double folding
- On screen Machine speed, Run time and Production data
- High Production, Low Maintenance
- Easy to operate , 7 inch touch display
- Repeat Length accuracy
- Accurate bed Positioning
- Optional - Production, Run time efficiency monitoring for multiple machines
- Optional - Table positioning using servo for delicate fabrics



## ABOUT RS AUTOMATION

Established in 1999, RS Automation is a leading industrial automation solutions provider with over 25 years of proven expertise. We specialize in textile machinery automation from yarn to weaving and processing, along with modernization and refurbishment of imported machines from Japan, Italy, Germany, Korea, France, and Taiwan.

Our services include panel manufacturing, drive and motion integration, retrofitting solutions, and complete industrial electronics repairing. Headquartered in Surat with branches in Ankleshwar and Vapi, we operate from a 10,800 sq. ft. production facility and dedicated design center, delivering reliable support across India and globally.



Scan for digital content

Proficiency in Crafting Innovative solutions for...



### HEAD OFFICE

Plot No.4304/3, Road No. 43/A, Nr. Sagar Hotel,  
G.I.D.C. Sachin, Surat-394 230.

Sales : +91 90999 60214  
e-mail : sales@rsautomation.in - www.rsautomation.in

### BRANCH

Vapi Region : Cell - +91 90999 60706, E-Mail : vapi@rsautomation.in  
Ankleshwar Region : Cell - +91 98792 07041, E-Mail : ankleshwar@rsautomation.in  
Maharashtra Region : Cell - +91 90999 07078, E-Mail : maharashtra@rsautomation.in